

DMPS/SMPS intercomparison

Comparison in sizing for different DMPS/SMPS systems within the Nordic countries

So far, six systems have been calibrated using a simple intercomparison unit that has been sent to the different participating groups:

1. Lund University, Department of Physics, Division of Nuclear Physics, Lund, Sweden
 - System Malmö (continuous operation, urban roof-top, central Malmö)
 - 2xSystem Abisko (continuous operation, Abisko N Sweden, two calibrations for two different DMAs)
 - System RESPI (used within a set up for respiratory deposition)
2. National Environmental Research Institute, Department of Atmospheric Environment, Roskilde, Denmark (1 system)
3. Copenhagen University, Dept of Chemistry, Copenhagen, Denmark (1 system)
4. Göteborg University, Göteborg, Sweden (2 systems, no data received)
5. Norwegian Institute for Air Research, Oslo, Norway (1 system, no data received)
6. University of Stockholm, Institute for Applied Environmental Research, Stockholm, Sweden (calibration setup in Stockholm, no data received)
7. University of Helsinki, Helsinki, Finland???

DMPS/SMPS intercomparison

Comparison in sizing for different DMPS/SMPS systems within the Nordic countries

Preliminary results presented at various conferences/workshops:

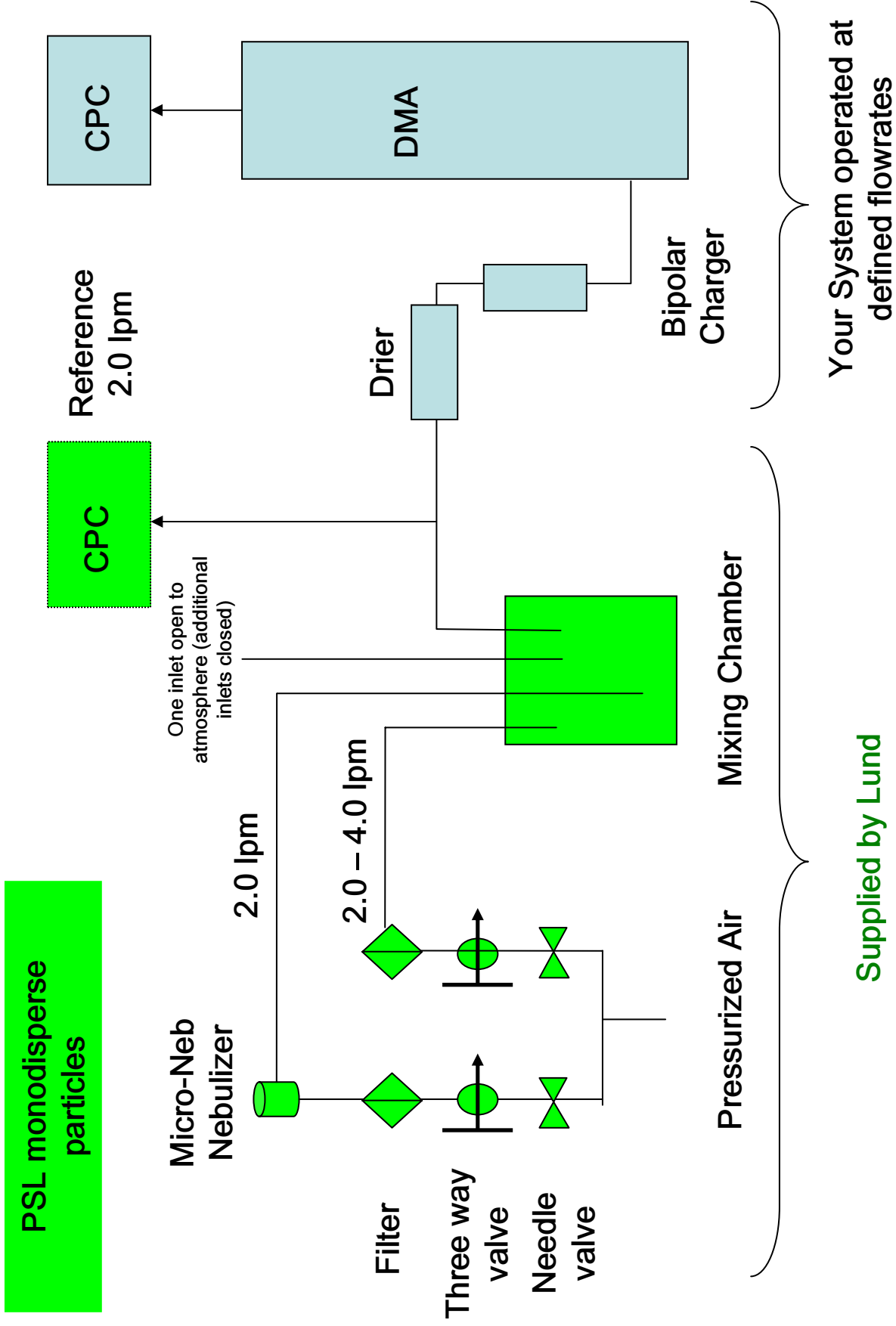
- NOSA, Gothenburg, Nov 2005
- BACCI NCoE workshop, May 2006

Technical paper planned for JAS (Andreas Massling lead author)

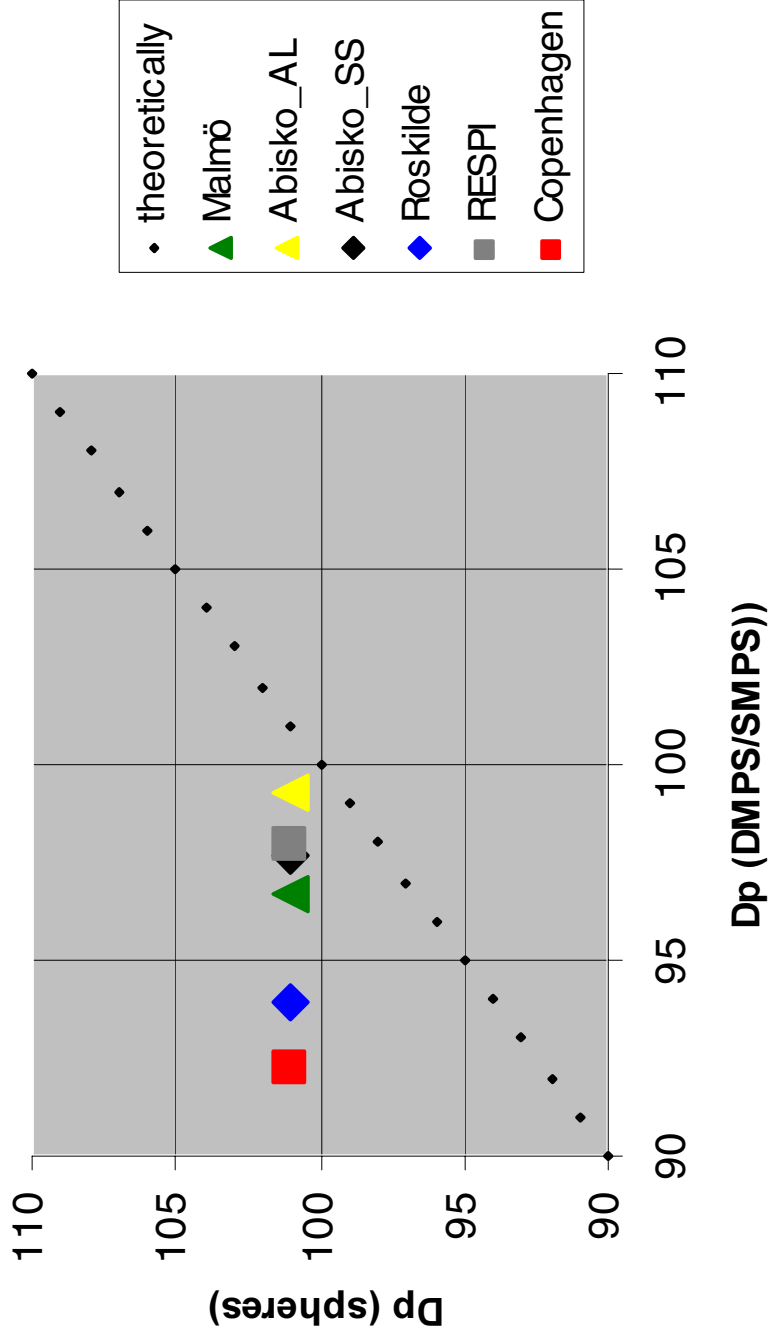
At the European level, SMPS/DMPS intercalibration will continue within

- EUSAAR (EU FP6 I3) Lead: IFT, Leipzig
- ACCENT (EU FP6 NoE)

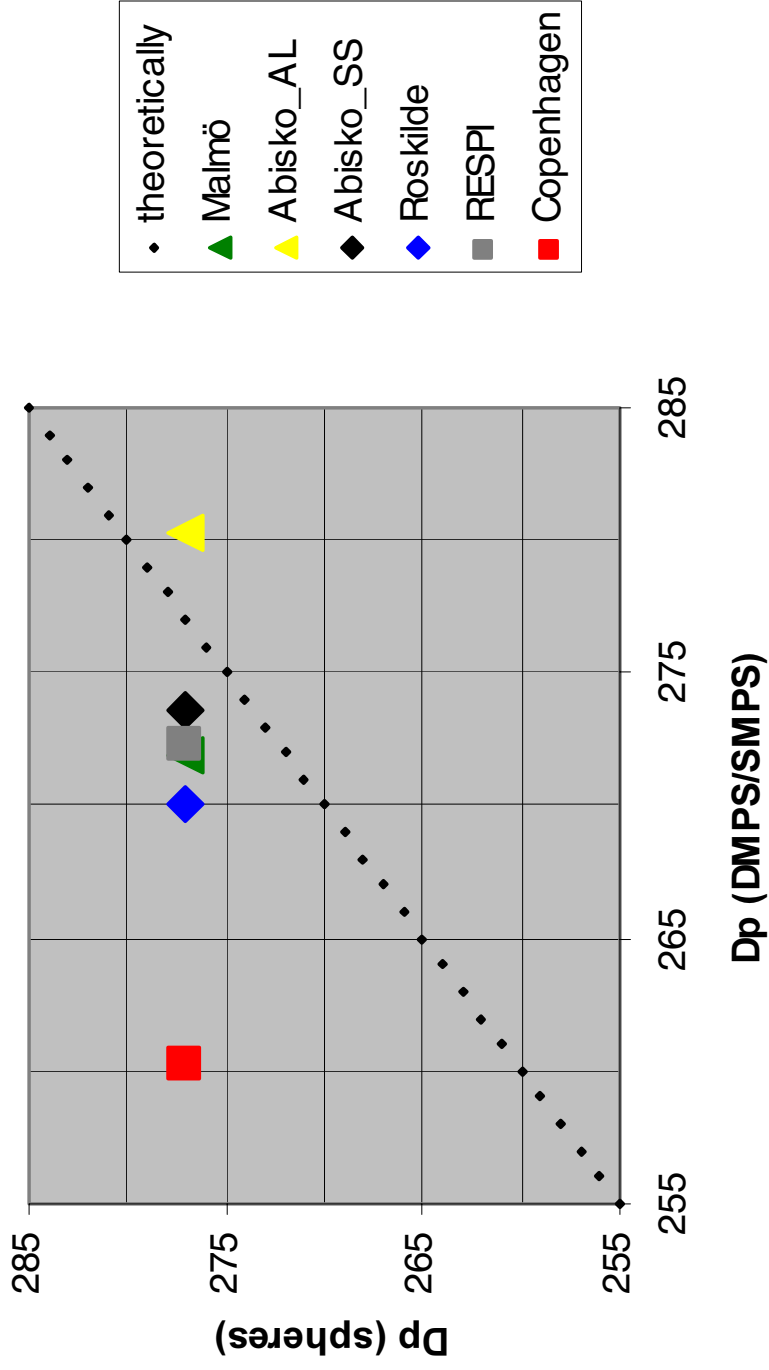
DMPS/SMPS intercomparison set up



Comparison in sizing Dp = 101nm



Comparison in sizing Dp = 277 nm



Comparison in sizing Dp = 420nm

